



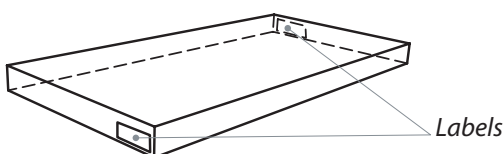
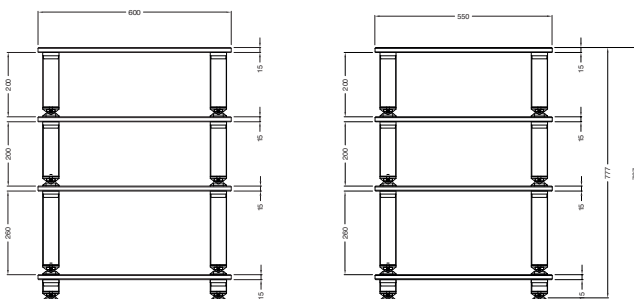
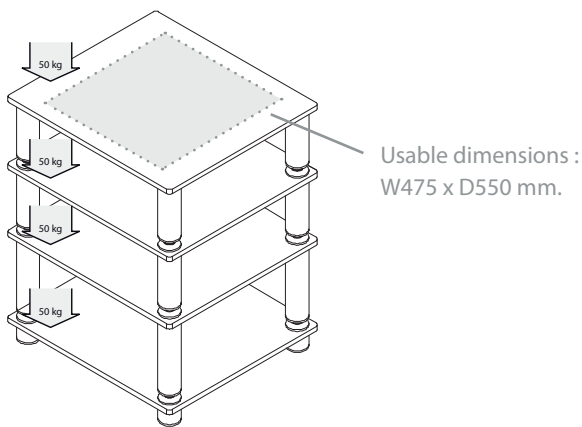
Stäbbl Hi-Fi

With the Stabbl line, Norstone has decided to go with simplicity, and offers 2 TV and Hifi pieces that are perfect for audiophiles. They are as sturdy as they are functional.

Whether you choose the Hifi or the AV version, the Stabbl pieces feature unique technical attributes, with a wave absorption system that supports each of the shelves, and featuring a remarkable 15mm thickness. These black glass shelves give this product line a sleek quality that will adapt to every style.

The storage modules feature spacious dimensions to accommodate all the elements of your high fidelity or home theatre system, including the heaviest and bulkiest components. With flawless manufacturing and unflinching high-end design, the Stabbl will satisfy the most demanding tastes.

SPECIFICATIONS



DESIGN

Finishes: Black lacquered

Structure: Black powder coated steel, brushed satin

Shelves: Black tempered glass

USABLE DIMENSIONS

Overall dimensions (W x H x D): 600 x 787 x 550mm

Upper shelf (W x H x D): 600 x 550 mm

PACKAGING

Delivered disassembled with screws kit, mounting instructions and tools

Quantity/box: 1 – **Type:** Brown cardboard

Dimensions (W x H x D): 675 X 220 X 620 mm.

Net Weight: 52 kg

Gross Weight: 56 kg

GenCode: 3760108808317 (Stäbbl Hi-Fi)

