

## BERGEN AV2

The Bergen rapidly stood out as favorites audiophiles in the range NorStone .

With its 3 large shelves, Bergen AV 2 is the ideal furniture for audio - video systems and high fidelity premium . Its height is optimized for the placement of a good size flat screen . It presents itself as a piece of furniture suitable both for video as high fidelity. The integral legs trays improve the rigidity of the assembly . Each floor including the lower level, then has its decoupling system spikes / tailstock .

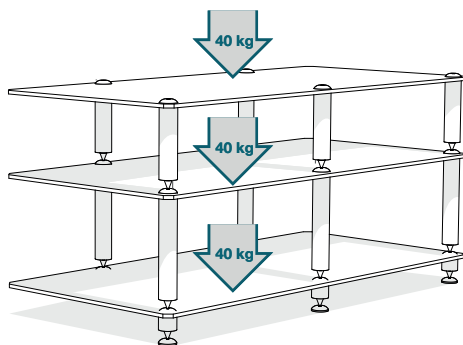
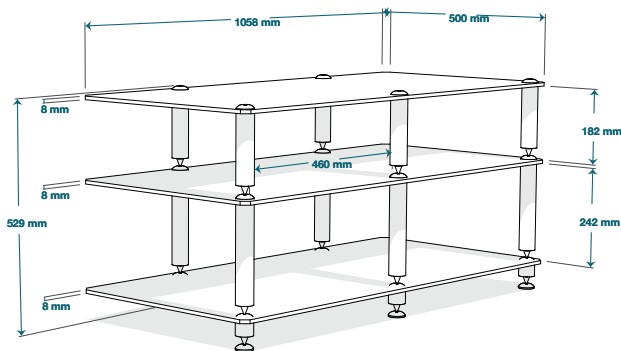


TV  
50" MAX  
40/40/40 KG MAX

### COLOR(S)



### SPÉCIFICATIONS



### DESIGN

**Finish :** Glossy Black/Black

**Structure :** Glossy black powder coated steel

**Shelves :** Black lacquered tempered glass

### MAXIMUM LOAD

**Upper shelf :** 40 kg

**Internal shelf :** 40 kg

**Lower shelf :** 40 kg

### USABLE DIMENSIONS

**Overall dimensions (W x H x D) :** 1058 x 529 x 500 mm

**Shelves (W x D) :** 460 x 402 mm (x2)

**Height between shelves :** (a) 182 mm  
(b) 242 mm

### PACKAGING

Delivered disassembled with screws kit, mounting instructions tools

**Quantity/box :** 1

**Type :** Brown cardboard

**Dimensions (W x H x D) :** 1150 x 115 x 585 mm

**Gross weight :** 39,9 kg

**Net weight :** 35 kg

**GenCode :** 3760108801707

### ALSO AVAILABLE

Bergen 2

