

MERIDIAN SYSTEM REMOTE (MSR+)
USER GUIDE



BOOTHROYD STUART
MERIDIAN

About this guide

This guide consists of the following chapters:

Introduction provides a general overview of the MSR+ and explains how to install the batteries.

Using the MSR+ describes how to use the MSR+ to control your Meridian equipment and other products.

Programming your MSR+ describes how to program the MSR+ to control other products.

Changing the source keycaps describes how to change the MSR+ source keycaps to suit your other equipment.

Troubleshooting provides suggested solutions to problems that may occur when using the MSR+.

Boothroyd|Stuart Meridian, Meridian, and MSR+ are registered trademarks of Meridian Audio Ltd.



This guide was produced by Human-Computer Interface Ltd,
<http://www.interface.co.uk/>

Sales and service in the UK

Meridian Audio Ltd
Stonehill
Stukeley Meadows
Cambridgeshire
PE29 6EX
England

Tel +44 (0)1480 445678 Fax +44 (0)1480 445686

Sales and service in the USA

Meridian America Inc
3800 Camp Creek Parkway
Building 2400
Suite 122
Atlanta
GA 30331

Tel +1 (404) 344 7111 Fax +1 (404) 346 7111

World Wide Web <http://www.meridian-audio.com/>

Copyright © 2003 Meridian Audio Ltd

Part no: MSR+/1

About the MSR+

The MSR+ is an advanced remote control that provides a comprehensive range of commands to allow you to control every product in your Meridian system straight out of the box. You can also program it to control your other equipment.

The MSR+ provides a total of 51 keys to give access to all the most frequently used commands of your Meridian products, and a **Function** (or shift) key for additional less frequently needed operations.

Interchangeable Meridian source keys

For easy selection of sources the MSR+ provides 12 source keys corresponding to the sources provided by the Meridian digital surround controllers, preamplifiers, and integrated amplifiers.

The MSR+ is provided with a selection of alternative keycaps for the source keys which you can use to match the particular combination of units in your system. For example, if you own a DVDR, you can change the keycaps to provide a **DVDR** key.

Control your other equipment

The MSR+ is pre-programmed to mimic the remote controls for many popular audio and video products from other manufacturers, and you can configure it to control up to nine other products simply by entering the appropriate device code on the numeric keypad. A complete list of the supported products is given at the back of this manual.

Learning commands

Even if you own a product that is not supported by the device library built in to the MSR+, it includes a learning mode which allows it to learn up to 120 commands from other remote controls and assign them to a key on the MSR+.

Backlight

For convenience the MSR+ keypad is backlit, so you can use it even in low-light conditions. The backlight automatically turns on as soon as you press a key in low light conditions.

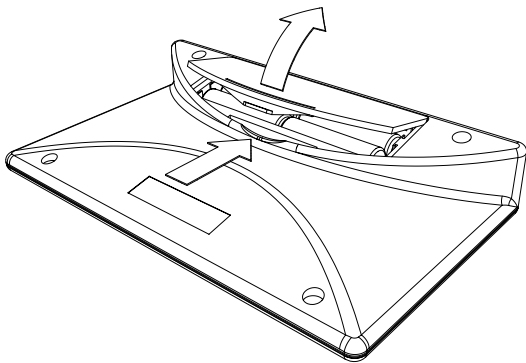
The MSR+ will have a battery life of over six months under normal conditions; slightly less if you use the backlight frequently.

Installing the batteries

The MSR+ is supplied with four AA batteries, and these need to be installed before you can use it.

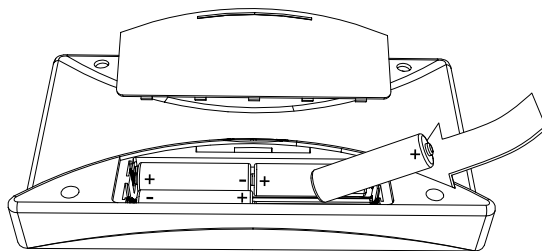
Note: Dispose of used batteries thoughtfully.

- Press the tab and remove the battery cover on the back of the MSR+:



- Make sure you observe the polarity of the batteries and the polarity marks + and – inside the battery compartment.

- Insert the four AA batteries accordingly:



- Push the battery cover back into place.

Low battery indicator

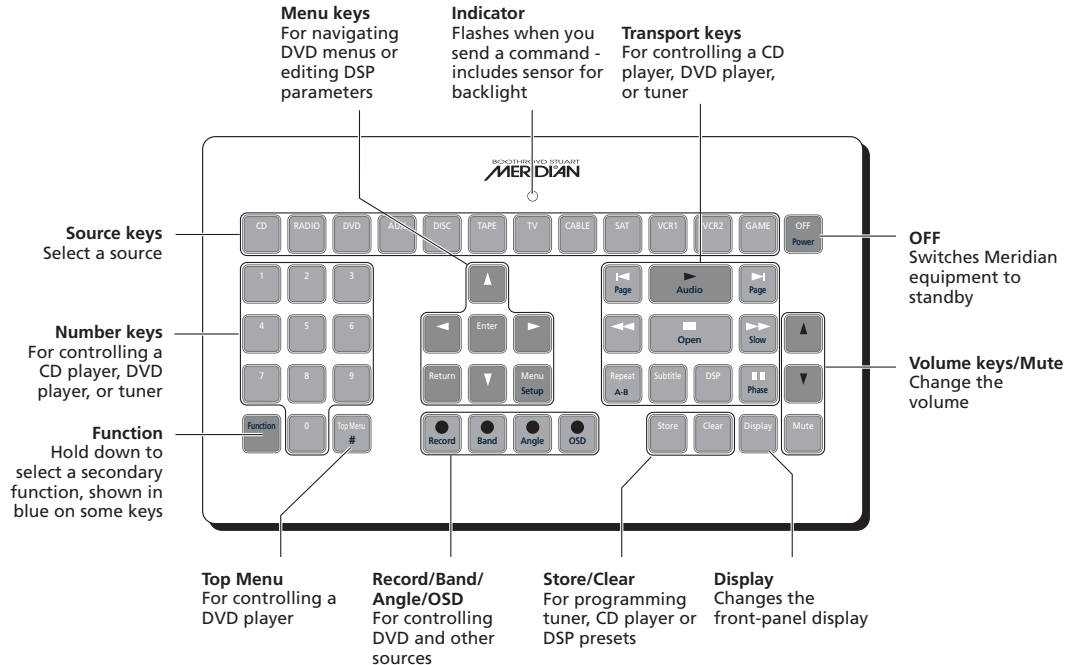
The indicator normally lights up when you press a key. If it flashes twice after releasing a key, this indicates that the battery is low.

Always replace all four batteries at the same time. Do not mix old and new batteries.

Replace the batteries as soon as possible after the low battery indicator appears, and after removing the old batteries replace the new batteries within two minutes, or you risk losing any codes you have programmed.

Using the MSR+ to control your Meridian equipment

The following diagram gives a summary of the MSR+ commands used for controlling Meridian products:



Controlling sources

The MSR+ provides 12 source keys to allow you to select one of the sources in your system.

To select a source

- Press the appropriate source key.

The indicator will flash once to indicate that the command has been sent.

Your Meridian controller will select that source. In addition, the MSR+ keys will change so that they control that source.

To use your MSR+ to control a source without selecting the source on your Meridian system:

- Hold down **Function** and press the source key.

For example, to change the TV channel while listening to a CD press **Function TV**, and then use the numeric keys to select the channel.

To use the function options

The function options are shown in blue on each key.

- Hold down **Function**, in the lower left corner of the remote.
- Press the key corresponding to the function you want to select.

To control your other equipment

The nine source keys: **AUX**, **DISC**, **TAPE**, **TV**, **CABLE**, **SAT**, **VCR1**, **VCR2**, and **GAME** can be programmed to control other equipment in your system as described in *Programming your MSR+*, page 5.

The **CD**, **RADIO**, and **DVD** source keys are dedicated to controlling Meridian products and cannot be changed.

The volume keys, **Mute**, and **OFF** also always control Meridian products. To use these commands with other equipment hold down **Function** with them.

To illuminate the MSR+ in low light conditions

- Press any key. Use **Function** to avoid sending a command.

The backlight will stay on for about five seconds.

Introduction

For convenience the MSR+ provides three alternative programming options to allow you to control 'other products'; ie products from other manufacturers:

- You can look up the manufacturer of the product you want to control in the back of this manual, and specify the remote control you want to mimic by entering a four digit device code on the numeric keypad.
- You can specify the type of product you want to control, and then search through the available remote controls until you find the appropriate one that controls your product.
- You can learn each of the commands for the product from the product's own remote control.

Learning is the most flexible method but also the most time-consuming. We recommend you start with one of the first two procedures and then use learning to supplement them with any other commands you want to add.

Dedicated (punch through) Meridian keys

Some keys on the MSR+ are dedicated to controlling your Meridian system and cannot be reprogrammed for your other products:

Key	Description
OFF	Turns the Meridian system off.
Volume ▲, ▼, and Mute	Control the Meridian system volume.
DSP	Changes the preset on Meridian surround controllers.
Function Menu ▲, ▼, ◀, ▶, Function Store , and Function Clear	Control the DSP menus on Meridian surround controllers.
Function Display	Changes the display of the Meridian system.

You can program **Function OFF**, the **Function** volume keys, the menu keys, **Store**, **Clear**, and **Display** to control your other equipment.

Note: There is no danger of damaging your MSR+ by using these procedures. A reset function is provided which will return your MSR+ to the factory settings; see *Resetting the MSR+*, page 10.

Specifying a device code

The simplest way to set up the MSR+ to control another product is to enter the appropriate device code for the product. A complete list of device codes for each of the supported products is given at the back of this manual.

Entering a device code erases any learnt commands for that source key.

To specify a device code

- Press the source key you want to use for the product; for example, **TAPE**.
- Hold down **0** and **Mute** simultaneously for two seconds until the indicator flashes twice and stays lit.
- Enter the appropriate device code on the numeric keypad.

For example, if your tape deck is a Revox enter 0664.

If you entered a valid device code the indicator will turn off and your MSR+ is ready to control the other product. If you entered an incorrect code, or pressed an invalid key, the indicator will flash six times and programming is abandoned.

For some products more than one device code is listed. Try each of the alternative device codes in turn until you find the one that controls your product.

To reset the source key to control Meridian products enter the device code 8888.

Auto-programming

This procedure lets you step through the library of remote controls in the MSR+ until you find the one that switches your product to standby. This is likely to be the correct one for your product.

To auto-program

- Make sure your other product is switched on and out of standby.
- Press the source key you want to use for the product; for example **TV**.
- Hold down **0** and **Mute** simultaneously until the indicator flashes twice and then stays lit.

- Enter one of the following codes using the numeric keypad to indicate the type of product you want to control.

The indicator should flash once each time you press a key, and then flash twice and stay off when you have entered the code correctly:

Product type	Code	Product type	Code
TV	1000	SAT/CABLE	6000
VCR	2000	LD	7000
TAPE/MD/CD-R	4000	DVD	8000
CD	5000	GAME	9000

For example, for a TV enter 1000.

- Point the MSR+ at the product you want to control, hold down **Function**, and press **OFF**.

Each time you press **Function OFF** the MSR+ will step to the next device in the library and send the corresponding **Power off** code to the other product.

- As soon as the other product turns off, indicating that this is the correct device, press the same source key again (eg **TV**) to store the currently selected device.

- To step back through the device library if you overshoot press **Mute** on the MSR+.

The indicator will flash twice to indicate that the operation has succeeded, and the MSR+ is now ready to control your other product.

Problems when programming automatically

If you reach the end of the device library without finding one that switches off your product the indicator will flash six times.

- Press the source key again to resume the search from the beginning.

If the other product does not turn off, your product may not be supported by the device library. In this case you will need to program the MSR+ using your product's own remote control as described in *Learning commands*, page 8.

Note: When stepping through the device library, you can use the keys other than **Function OFF** on the MSR+ to test other commands in the currently selected device.

Learning commands

The third and most flexible way of programming the MSR+ is to learn from your product's own remote control. This allows you to control products not supported by the device library, and gives you the flexibility to assign any command to a chosen key.

The MSR+ can learn up to 120 commands. If you try to program more than this the indicator will flash six times and the MSR+ exits from learning mode.

You can also use learning to add commands additional to those provided by the device library. Select the device code first, then learn the additional commands.

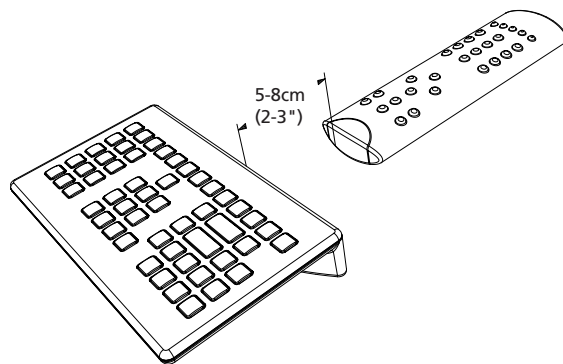
Note: You cannot program the dedicated Meridian keys; see *Dedicated (punch through) Meridian keys*, page 5. Also, you cannot learn commands if the battery level is low. In these cases the indicator will flash six times when you try to enter the learning code.

To learn commands

- Press the source key you want to use for the product; for example, **TV**.
- Hold down **0** and **Mute** simultaneously for two seconds until the indicator flashes twice and stays lit.
- Enter the learning code 0000 on the numeric keypad.

The indicator will flash twice and go off. The MSR+ is then ready to learn commands.

- Aim the product's remote control at the front of the MSR+, at a distance of 5 to 8cm (2 to 3"):



- Press and release the key on the MSR+ that you want to use for a particular command.

The indicator will light up to show that the MSR+ is waiting to receive the code for that command.

- Press and hold down the corresponding key on the product's remote control to transmit the command.

When the command has been received and learnt correctly the indicator will flash twice and turn off. If there was a problem learning the command the indicator will flash six times.

- Press the MSR+ key followed by the product's remote control key to learn each of the command keys you want to use.

When you have finished learning commands from the third-party remote control:

- Press the source key again, eg **TV**.

The LED indicator will flash once and go off.

Alternatively if you leave the MSR+ without pressing a key for more than 20 seconds the LED indicator will flash six times and the MSR+ exits from learning mode, remembering any keys you have programmed up to that point.

To learn dual signals

Some manufacturers use a sequence of two different remote control signals to operate their equipment. To learn the commands for these manufacturers you need to program each key twice so the MSR+ can store each of the two signals used for the command.

- Program the key using the standard procedure described above until the indicator flashes twice and turns off indicating that the first code has been learnt correctly.
- Press and release the same key on the MSR+ again so the indicator lights up again.
- Press and hold the same key on the product's remote control until the indicator flashes twice and turns off.

Both signals have now been learnt successfully and assigned to the MSR+ key.

- Repeat the dual-learning procedure for any other keys you want to program.
- Press the source key again to store the settings.

Resetting the MSR+

You can reset the MSR+ to the programmed state it was in when you first received it.

Warning: This will erase any devices or learned commands you have programmed.

- Hold down **0** and **Mute** simultaneously until the indicator flashes twice and stays on.
- Enter the code 9990 on the numeric keypad.

The indicator will turn off, and all sources are reset to their default Meridian codes.

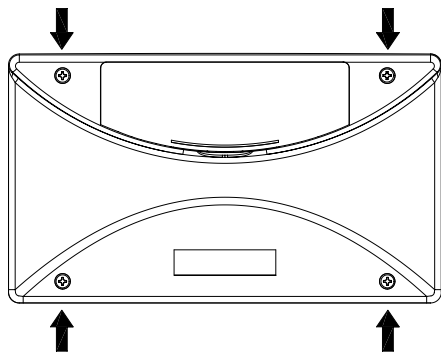
Note: You can reset an individual source by specifying device code 8888; see *Specifying a device code*, page 6

Introduction

The MSR+ is supplied with 12 standard source keycaps, corresponding to the 12 standard sources on the Meridian preamplifiers and controllers. Some additional keycaps are supplied with the MSR+ and you can substitute these for the standard keycaps to suit the particular combination of products in your system.

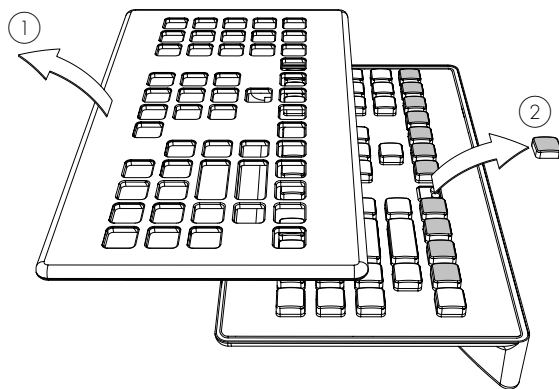
To change the keycaps

- Undo the four screws at the back of the MSR+ using a #1 Pozidriv screwdriver:



- Carefully lift the front cover off the MSR+. ①

The top row of keycaps (except **OFF**) can then be removed. ②



The remaining keycaps are held in position and cannot be changed.

- Replace the keycaps in the required order, taking care to orient them correctly.
- Refit the front panel of the MSR+ by replacing the four screws. Take care not to overtighten the screws, or you may damage the threads.

The indicator flashes twice after pressing any key

The battery level is low. Replace the batteries as soon as possible for a new set of four AA type batteries; see *Installing the batteries*, page 2.

The LED indicator flashes six times when attempting to program the MSR+

This indicates that the current operation you are performing was unsuccessful. For more information read the instructions for the appropriate programming procedure.

When I press the source key for one of my other products, my Meridian controller selects a different source

Hold down **Function** while pressing the source key. This changes the MSR+ to the correct device for your other product without transmitting the source command to the Meridian system.

How do I control my television sound and power?

The volume ▲ and ▼, **Mute**, and **OFF** keys are dedicated to controlling the Meridian system even when the source key is programmed for another manufacturer's product. To control the television volume or power hold down **Function** when using the volume or **OFF** keys.

I can't change the television volume after changing the Meridian volume

You control the volume of another product with the **Function** volume keys. To send a **Function** key combination immediately after the ordinary key you need to release and press the key again.

I can't find the manufacturer of my product in the device code list

Try auto-programming; see *Auto-programming*, page 6. If this fails try learning commands from your product's remote control; see *Learning commands*, page 8.

Commands do not work reliably with my product

Try dual-signal learning; see *To Learn dual signals*, page 9.

I can't learn successfully from my product's remote control

If none of the programming methods succeed it may be that you have one of a small number of products that uses non-standard remote control signals not supported by the MSR+.

The indicator light does not light up when I press key

Try removing and refitting the batteries. If this does not work replace the batteries with new ones; see *Installing the batteries*, page 2.

Typical commands provided for each type of product.

Description	TV	VCR	TAPE, MD, CD-R CD, LD	SAT, CTV	DVD, GAME
0	0/10	0/10	0/10	0/10	0/10
TOP MENU	-/-, 11	VIDEO PLUS	-/-, 11	PPV	TOP MENU (DVD) -/- (GAME)
ENTER	SELECT	SELECT		SELECT	ENTER
UP	U	U		U	U
DOWN	D	D		D	D
LEFT	L	L		L	L
RIGHT	R	R		R	R
RETURN	EXIT	EXIT		BACK	RETURN
MENU	MENU	MENU		MENU	MENU
RED	RED	RED		RED	
GREEN	GREEN	GREEN		GREEN	
YELLOW	YELLOW	YELLOW		YELLOW	
BLUE	BLUE	BLUE		BLUE	
▶▶	>>	>>	FF	FF	FF
◀◀	<<	<<	REW	REW	REW
PLAY	PLAY	PLAY	PLAY	PLAY	PLAY
STOP	STOP	STOP	STOP	STOP	STOP
▶ 	CH+	CH+	SKIP +	CH+	SKIP +
 ◀	CH-	CH-	SKIP -	CH-	SKIP -
REPEAT	LAST CHANNEL	LAST CHANNEL	REPEAT	LAST CHANNEL	REPEAT
SUBTITLE	TEXT ON			TEXT ON	SUBTITLE
PAUSE	STORE	PAUSE	PAUSE	PAUSE	PAUSE
STORE	CLEAR	PROGRAM		FAVOURITE	
CLEAR	GUIDE	CLOCK	DISPLAY	GUIDE	DISPLAY
DISPLAY					

Function keys

Description	TV	VCR	TAPE, MD, CD-R CD, LD	SAT, CTV	DVD, GAME
POWER	POWER	POWER	POWER	POWER	POWER
#		-/-, 11		INTERACTIVE	-/-, 11
Fn+ENTER		SP/LP			
Fn+RETURN	RESET	COUNTER RESET			
SETUP	INDEX	INDEX		SETUP	SETUP
RECORD		RECORD	RECORD (TAPE/ MDCDR)	RECORD	
BAND	ANTENN A/B	TV/VCR			
ANGLE	FORMAT 16 9	FORMAT 16 9			
OSD	INFO	COUNTER		INFO	
SLOW					
Fn+◀◀					
AUDIO	AUDIO	FRAME FWD	SOUND		AUDIO
OPEN		EJECT	EJECT		EJECT
Page ▶	PAGE+	SLOW+	DIR A, (TAPE Only)	PAGE+	DISC SKIP
Page ◀	PAGE-	SLOW-	DIR B, (TAPE Only)	PAGE-	
A-B	INPUT	INPUT	INPUT	INPUT	A-B
Fn+SUBTITLE	TEXT MIX			TEXT MIX	TITLE
Fn+DSP					
PHASE					
Fn+MUTE	MUTE				
Fn+VOLUME ▲	VOL+				
Fn+VOLUME ▼	VOL-				

Device codes

TV

Brand Name Device Code

AIWA	3881
AKAI	0061, 0101, 0231, 1051, 1211, 1421, 1461, 1601, 1701, 1781, 2821, 3541, 3551
ALBA	1101, 1191, 2141, 2921
AMSTRAD	1161, 1351, 2971, 3521
ARC EN CIEL	0541
ARCAM	0541, 0731
ARCHER	3591
ARISTONA	0721
ARTHUR MARTIN	0431, 1461
ASTRA	1351
ATANTIC	0731
ATLANTIC	0731
AUDIOSONIC	1041, 1181, 1351, 3461
AUTOVOX	0091, 0341, 0461, 0471, 0571, 0751, 0881, 0931, 0951, 1251, 1281, 3511, 3591
BAIRD	0971, 1211
BANG & OLUFSEN	0951
BLAUPUNKT	0221, 0231, 0241, 0251, 0451, 0711, 1981, 1991, 2001, 2011, 2021, 2041, 2261, 2271
BRANDT	0541, 0621, 0701, 0861, 1631
BUSH	0431, 1101, 1191, 1461, 1551, 1911, 1931, 3461
BUSH (UK)	0461, 1391, 1441
CARVER	2601
CITIZEN	0761, 2841, 2851, 3381, 3391, 3401, 3421, 3431, 3551, 3561
CONTINENTAL EDISON	0541, 0621, 0861
CRAIG	1031, 2741, 3511
CROSLEY	0021, 0471, 0911, 0951, 1261, 1781, 1981, 2031, 2051

CROWN	2231, 3401, 3511
CURTIS MATHES	2651, 2851, 3391, 3401, 3441, 3551
DACUS	3801, 3821
DAEWOO	0101, 1341, 1351, 2301, 2781, 2791, 2821, 3211, 3401, 3461, 3491, 3561, 3601, 3921, 3941, 3951, 3961
DANSAI	0101, 3461
DECCA	0271, 0551, 0571, 0891, 0971, 1501, 2761, 3461
DECCA (UK)	0271, 0551, 0571, 0971, 1491
DEGRAAF	0431, 1211
DUAL	0091, 0571, 1441, 1461, 1881
DUAL-TEC	0571, 1351, 1451, 1891
DYNATRON	0101
ELECTROHOME	3401
EMERSON	0911, 0951, 0991, 1031, 1121, 1161, 2511, 2531, 2561, 2571, 2581, 2591, 2611, 3281, 3291, 3301, 3311, 3321, 3331, 3341, 3361, 3381, 3401, 3441, 3471, 3491, 3511, 3521, 3531
ETRON	1781, 2821
FERGUSON	0281, 0361, 0521, 0621, 0751, 0831, 0851, 1001, 1041, 1221, 1301, 1771, 1791, 2061, 2091, 2121, 3461
FIDELITY	0431, 0731, 2061
FIDELITY (UK)	0531, 0561, 1741, 2061
FINLANDIA	0431, 2101
FINLUX	0021, 0261, 0471, 0491, 0751, 0781, 0841, 0951, 1271, 1281, 1781, 1841, 1871, 1901, 1931, 2241, 3461
FISHER	0021, 0091, 0141, 0481, 0571, 0771, 0791, 0901, 0911, 0951, 1781, 1871, 2661, 3271, 3441
FRONTECH	0431, 1041, 1781
FUJITSU	1121, 3531
FUNAI	0381, 0661, 1031, 1041, 1121, 3511, 3531, 3901, 3911
FUNJI	3701
FUTURETECH	1031, 3511
GE	2621, 2651, 2691, 3221, 3231, 3241, 3251, 3261, 3281, 3331, 3501
GEC	0431, 0971, 1141, 2101, 2761, 3461

GEC (UK)	0031, 0081, 0551, 0571, 0971, 1141, 1391
GEMINI	2881
GENEXXA	0431, 1191, 2921
GOLDSTAR	0561, 0571, 0731, 0761, 1231, 1331, 1351, 1391, 1451, 1461, 2841, 2901, 3331, 3401, 3431, 3461, 3491, 3551, 3581
GOODMANS	0141, 0971, 1231, 1461, 2081
GRANADA	0141, 0431, 0471, 0551, 0571, 0971, 0981, 1211, 1781, 2101, 3461
GRANADA (UK)	0081, 0141, 0431, 0471, 0551, 0571, 0921, 1171, 1361, 1391, 1461
GRUNDIG	0221, 0231, 0451, 0471, 0681, 0711, 1241, 1811, 1831, 1921, 1931, 3991, 4001, 4011, 4021, 4031, 4041, 4051, 4061, 4071, 4081, 4091
H/K	3211
HINARI	0071, 0141, 0431, 1121, 1211, 1351, 1461, 1781, 1801, 3461, 3531
HITACHI	0001, 0011, 0031, 0081, 0141, 0291, 0321, 0331, 0431, 0571, 0601, 0671, 1141, 1391, 1431, 1631, 1641, 1651, 1671, 1681, 1691, 1701, 1751, 1781, 1841, 2101, 2121, 2671, 2841, 3161, 3171, 3181, 3191, 3201, 3341, 3401, 3431, 3761
INGERSOL	1351
INTERFUNK	0031, 0041, 0061, 0121, 0181, 0431, 0471, 0951, 1461, 1601, 1631, 1781, 2011, 3461
ITT	0031, 0041, 0051, 0061, 0071, 0081, 0181, 0401, 0431, 0471, 1101, 1151, 1211, 1341, 1431, 1461, 1551, 1731, 1781, 1871, 2111, 2171, 3101
ITT-NOKIA	0031, 0041, 0051, 0061, 0071, 0081, 0181, 0401, 0431, 0471, 1101, 1151, 1211, 1341, 1431, 1461, 1551, 1731, 1781, 1871, 2111, 2171
JBL	2601
JENSEN	2801
JVC	0071, 0691, 1291, 1411, 1421, 1551, 1601, 2751, 2771, 3131, 3141, 3151, 3311, 3611, 3621, 3631
KARCHER	0561, 0571, 0811, 0961, 1181, 1351, 1391, 1841
KENWOOD	2851, 3491, 3551

KONKA	2391	NOKIA	0031, 0041, 0051, 0061, 0071, 0081, 0181, 0401, 0431, 0471, 1101, 1151, 1211, 1341, 1431, 1461, 1551, 1731, 1781, 1871, 2111, 2171, 2191, 2481	SABA	0291, 0321, 0411, 0431, 0501, 0511, 0541, 0551, 0621, 0701, 0871, 0911, 0941, 0951, 1001, 1601, 1621, 1631, 1701, 1751, 2321
LOEWE	3461	NORDMENDE	0031, 0291, 0321, 0431, 0501, 0511, 0541, 0931, 1001, 1421, 1601, 1621, 1631, 1701, 1751, 2321	SAISHO	0431, 0571, 1021, 1101, 1161, 1351, 1481, 1491, 1501, 2821, 3521
LOEWE OPTA	0121, 0131, 0551, 0581, 0951	OPTIMUS	3041	SAMPO	2851, 3401, 3481, 3551, 3581
LOWEWE	0801	OPTONICA	3031, 3571	SAMSUNG	0101, 0571, 0811, 0901, 0971, 1041, 1231, 1351, 1801, 2821, 2831, 2841, 2851, 3331, 3391, 3401, 3431, 3461, 3491, 3551, 3581, 3861
LUXMAN	0761, 2841, 3431	ORION	0061, 0381, 0661, 0821, 1071, 1101, 1111, 1161, 1321, 1351, 1491, 1501, 1781, 2151, 2161, 3301, 3461	SANYO	0141, 0151, 0391, 0571, 0771, 0791, 0901, 0911, 0971, 0981, 1151, 1211, 1501, 1551, 1841, 1871, 2241, 2661, 2721, 2761, 3151, 3271, 3371, 3441, 3641, 3661, 3671
LUXMAN STEREO TUNER	0761	PANASONIC	0031, 0201, 0211, 0431, 0671, 1171, 1561, 1761, 2251, 2431, 2601, 2681, 2741, 3221, 3501, 3721, 3781, 3831	SCOTT	1031, 1121, 3301, 3331, 3401, 3491, 3511, 3531
LUXOR	0001, 0061, 0181, 0331, 0411, 0431, 0441, 0471, 0571, 0641, 1211, 1231, 1391, 1431, 1721, 1731, 1781	PANORAMIC	2131	SEARS	2601, 2651, 2661, 2841, 2971, 3011, 3111, 3231, 3271, 3331, 3431, 3441, 3531
LXI	2601, 3111, 3231, 3331, 3441	PATHE MARCONI	0541	SELECO	0071, 0101, 0341, 0401, 0431, 0881, 1711, 1851, 1881, 1891
MAGNADYNE	0021, 0061, 0261, 0551, 0611, 0741, 0911, 0951, 1451, 1781	PATHE' CINEMA (F)	0421, 0561, 1451, 1471, 1771	SHARP	0141, 0151, 0191, 1571, 1591, 2951, 2961, 3031, 3151, 3371, 3401, 3571, 3651, 3681
MAGNAVOX	2601, 2831, 2881, 2891, 2901, 2911, 3071, 3081, 3091, 3101, 3121, 3151, 3421, 3551	PHILCO	0021, 0471, 0781, 0901, 0911, 0951, 1261, 1441, 1451, 1561, 1981, 2031, 2051, 2851, 3071, 3081, 3091, 3101, 3121, 3421, 3491, 3551	SIEMENS	0151, 0221, 0231, 0431, 0711, 1801, 1981, 1991, 2001, 2011, 2021, 2041, 2261, 2271
MARANTZ	0101, 2601, 2711, 2851, 3461, 3551	PHILIPS	0101, 0351, 0561, 0591, 0651, 0721, 0731, 0911, 0951, 1141, 1821, 2061, 2071, 2171, 2181, 2201, 2421, 2601, 2891, 3461	SINGER	0021, 0261, 0911, 0951
MATSUI	0061, 0431, 0571, 0661, 0971, 1011, 1101, 1131, 1161, 1351, 1391, 1491, 1501, 2761, 2821, 3461	PIONEER	0291, 0431, 1201, 1631, 3001, 3041, 3341, 3741	SONY	0141, 0171, 0991, 1491, 1501, 2441, 2861, 2941, 3151, 3311, 3411, 3691, 3841
MCMICHAEL	1141	PRIMA	0431	SOUNDESIGN	1031, 3331, 3421, 3511, 3531
MEDION	2281, 2291, 2301, 2311, 2331, 2341, 2351, 2361, 2371, 2381, 2401, 2411, 2451, 2461, 2471	PROSCAN	3231	SYMPHONIC	2971
MEGATRON	3181, 3331, 3591	PROTECH	0611, 1041, 1781, 3461	SYLVANIA	2601, 2851, 2931, 3071, 3081, 3091, 3101, 3121, 3421, 3551
MEI	3471	PROTON	2991, 3331, 3401, 3481, 3591	TANDBERG	0161, 0321, 0581, 0911, 1281, 1581, 1601, 1861
MEMOREX	1351, 2821, 3061, 3331, 3431, 3441, 3451, 3981	QUASAR	2741, 3221, 3501	TANDY	0191, 0431, 1191, 1371, 2761, 2921, 3571
MGA	1091, 2851, 3051, 3061, 3331, 3491, 3551	RADIO SHACK	3031, 3401, 3491, 3511, 3581	TATUNG	0271, 0551, 0571, 0891, 0971, 1491, 1501, 2761, 3461, 3501, 3591
MISTRAL	2061	RANK	0461, 1931	TECHNICS	1171, 3221
MITSUBISHI	0141, 0201, 0231, 0631, 1051, 1061, 1091, 1481, 1501, 1551, 2711, 2811, 3051, 3061, 3151, 3331, 3491, 3541, 3791	RCA	2551, 2631, 2641, 2671, 2901, 2981, 3021, 3231, 3241, 3341, 3491	TEKNIKA	1031, 1091, 1121, 2601, 2841, 3061, 3391, 3401, 3421, 3431, 3451, 3491, 3511, 3531, 3561, 3981
MONTGOMERY	3531	REALISTIC	3031, 3331, 3401, 3431, 3441, 3491, 3511, 3551, 3581	TELEAVIA	0541, 0621, 0701, 1631
MOTOROLA	3501, 3571	REDIFFUSION	0431, 0631, 1461, 1781, 2111		
MULTITECH	0261, 0551, 0571, 0611, 0901, 1181, 1351, 3511	REDIFFUSION (UK)	0061, 0081, 0921		
NAD	1201, 3041, 3111, 3331	ROTEL	0151		
NEC	0141, 1521, 1531, 1541, 2731, 2841, 2851, 3151, 3431, 3491, 3551, 3731, 3971	RUNCO	3351, 3551		

TELEFUNKEN 0291, 0301, 0311, 0521, 0701, 1001, 1311, 1421, 1601, 1611, 1621, 1631, 1791, 1941, 1951, 1961, 1971, 1981, 2031, 2051, 2211, 2321

TELETECH 1351, 2821

THOMSON 0321, 0461, 0501, 0541, 0601, 0621, 0701, 0861, 1101, 1401, 1421, 1601, 1621, 1631, 1701, 1751, 2221

THORN 0711, 0831, 1871, 2031, 2051, 2061

THORN-FERGUSON 0281, 0361, 0521, 0621, 0751, 0831, 0851, 1001, 1041, 1221, 1301, 1771, 1791, 2061

TOSHIBA 0141, 0371, 0461, 1081, 1131, 1511, 1551, 1661, 1931, 2491, 2501, 2871, 3011, 3111, 3151, 3391, 3441, 3711

TRISTAR 2061

ULTRAVOX 0021, 0261, 0561, 0911, 0951, 1781

VICTOR 1291, 1421, 3141

VIDTECH 3331, 3491

VIDIKRON 2601, 2701

VORTEC 0101, 0621

WARDS 2601, 2851, 2941, 3031, 3071, 3081, 3091, 3101, 3241, 3251, 3261, 3331, 3431, 3451, 3491, 3531, 3551, 3981

WEGA 0141, 0951, 1781

WEGA COLOR 0911

WHITE 0101, 0261, 0421, 0561, 0731, 1261, 1381

WESTINGHOUSE

YAMAHA 2851, 3491, 3551

ZANUSSI 0071, 0101, 0341, 0401, 0431, 0881, 1711, 1851, 1881, 1891

ZENITH 2521, 2541, 3351, 3451, 3981

VCR

Brand Name	Device Code
A TANDY	2022
AIWA	0042, 0352, 0432, 1152, 2112
AKAI	0042, 0422, 0492, 0582, 0612, 0642, 0652, 0762, 0912, 1412, 2062, 2072, 2082, 2092
ALBA	0002, 0112, 0282, 0332, 0342, 0972

AMSTRAD 0322, 0432, 0452, 2112

AUDIOSONIC 0002

AUDIOVOX 2032

BAIRD 0042, 0282, 0492

BANG & OLUFSEN 0042

BLAUPUNKT 0062, 0092, 0252, 0462, 0672, 0992, 1532

BUSH 0002, 0282, 0332, 0342, 0512, 0972, 1972

BUSH (UK) 0812

CAPEHART 0112

CANON 1982, 2052

CROWN 0112, 0282, 0622

CURTIS MATHES 1782, 1942, 2052

DAEWOO 0112, 0282, 0622, 1922, 1932, 2102

DANSAI 0012

DECCA 0042, 0052, 0432, 0942

DECCA (UK) 0052

DEGRAAF 0052, 0132, 0432, 0532, 0602

DUAL 0042, 0632

EMERSON 0012, 0162, 0202, 0432, 0512, 0522, 1232, 1292, 1302, 1312, 1322, 1332, 1342, 1352, 1372, 1822, 1832, 1842, 1852, 1862, 1872, 1882, 1892, 1902, 1992, 2002, 2012, 2032, 2072, 2112, 2192

FERGUSON 0042, 0712, 0722, 0852, 0902, 1002, 1012, 1032

FIDELITY 0432

FINLANDIA 0052, 0532

FINLUX 0012, 0042, 0052, 0082, 0262, 0382, 0432, 0462, 0492, 0532, 0572, 0602, 0912, 1162, 2112

FISHER 0162, 0482, 0532, 0542, 0572, 0592, 1802, 1812, 1962, 2022

FRONTECH 0112

FUNAI 0432, 2112

GBC 0002

GE 1782, 1942, 2052

GEC (UK) 0022, 0052

GO VIDEO 1762, 1772

GOLDSTAR 0012, 0122, 0812, 0952, 1242, 1752, 2032

GOODMANS 0002, 0072, 0282, 0432, 0502

GOODMANS (UK) 0002

GRANADA 0052, 0132, 0532, 0572, 1162

GRANADA (UK) 0052, 0092, 0462, 0602, 0812, 0822

GRUNDIG 0052, 0062, 0092, 0232, 0252, 0262, 0752, 0802

HARMAN/KARDON 0122, 0922, 1752, 2202

HINARI 0002, 0202, 0412, 0442, 0522, 1972

HITACHI 0042, 0172, 0292, 0432, 0602, 0662, 0812, 1012, 1262, 1682, 1692, 1702, 1712, 1722, 2112

INGERSOL 0442

INTERFUNK 0022, 0052

ITT 0022, 0032, 0042, 0072, 0292, 0492, 0532, 0572, 0762, 2062

ITT-NOKIA 0022, 0032, 0042, 0072, 0292, 0492, 0532, 0572, 0762

JENSEN 0042

JVC 0042, 0102, 0142, 0272, 0742, 0762, 0782, 0902, 1362, 1642, 1652, 1662, 1672

KARCHER 0052, 0072, 0812

KENDO 0492

KENWOOD 0042, 0142, 0572, 1362, 1662, 1732, 1752, 2022

KLH 1972

LOEWE OPTA 0052, 0092, 0152

LUXOR 0492, 0572, 0812, 2062

LXI 1182, 2032

MAGNADYNE 0052

MAGNAVOX 1162, 1602, 1612, 1622, 1632, 2052

MARANTZ 0012, 0052, 0092, 0122, 0502, 1162, 1362, 1752, 2052

MATSUI 0012, 0442, 0512, 0522, 0812, 0972, 1842

MATSUSHITA 2052

MEDION 1082, 1102, 1112

MEI 1382, 2052

MEMOREX 0012, 0132, 0432, 0482, 0532, 0572, 1392, 1402, 1592, 1632, 1732, 1962, 2022, 2032, 2042, 2052, 2112

METZ 0062, 0092, 0932

MGA 0912, 1882, 2072

MGA TECHNOLOGY 2042

MINOLTA 0172, 0602, 1712, 1722

MITSUBISHI 0052, 0062, 0142, 0912, 0922, 1572, 1582, 1662, 1882, 2072, 2202

MOTOROLA 1592, 2052

NATIONAL 0462

NEC 0042, 0122, 0142, 1282, 1362, 1432, 1542, 1552, 1662, 1752

NOKIA 0022, 0032, 0042, 0072, 0292, 0492, 0532, 0572, 0762, 1092

NORDMENDE 0042, 0102, 0142, 0192, 0222, 0242, 0392, 0402, 0632, 0732, 0742, 0762, 0782, 0792, 0832, 0842, 0872

OLYMPUS 0462, 1532, 2052

OPTIMUS 1562, 1592, 2032

OPTONICA 0132, 0502

ORION 0162, 0202, 0312, 0442, 0512, 0522, 0982, 1372, 1842, 1862, 1892

PANASONIC 0022, 0212, 0462, 0672, 0992, 1042, 1052, 1122, 1172, 1212, 1252, 1382, 1502, 1512, 1522, 1532, 2052

PHILCO 1162, 2052

PHILIPS 0052, 0082, 0092, 0152, 0182, 0362, 0372, 0382, 0472, 0502, 1022, 1162, 1422, 1612, 2052

PIONEER 0052, 0142, 0372, 0472, 1562, 1662

PROSCAN 2122, 2132, 2142, 2152, 2162, 2172, 2182

PYE 0052, 0152

QUASAR 1512, 1522, 2052

RADIO SHACK 2032, 2112

RCA 1272, 1512, 1522, 1602, 1712, 1722, 1782, 1942, 2062

REALISTIC 0012, 0072, 0132, 0432, 0482, 0502, 0532, 0572, 1592, 1732, 1802, 1962, 2022, 2032, 2042, 2052, 2112

RICOH 0952, 1482, 1492

SABA 0042, 0142, 0192, 0222, 0242, 0392, 0632, 0732, 0742, 0762, 0772, 0782, 0792, 0872

SAISHO 0162, 0202, 0292, 0442, 0512, 0522, 0972, 1372, 1702, 1842, 1852, 1862, 1892

SAMSUNG 0052, 0072, 0622, 0652, 1132, 1372, 1452, 2042, 2082

SANSUI 0042, 0142, 1432, 1662, 1952

SANYO 0482, 0532, 0562, 0572, 1402, 1732, 1962, 2022, 2042

SEARS 1442, 1712, 1722, 1732, 1802, 1812, 1962, 2022, 2032, 2052

SELECO 0042

SHARP 0132, 0502, 0702, 1592

SIEMENS 0062, 0092, 0252, 0572

SONY 0432, 0552, 0682, 0692, 0942, 0952, 0962, 1062, 1072, 1192, 1462, 1482, 1492, 1792, 1912, 2052

SYLVANIA 0432, 0912, 1162, 1612, 1622, 1882, 2052, 2112

SYMPHONIC 0432, 0912, 2112

TANDBERG 0062, 0162, 0522, 0932

TANDY 2112

TATUNG 0042, 0052, 0432, 0922

TEAC 0042, 0432, 2112

TECHNICS 0462, 2052

TEKNIKA 0012, 0432, 2032, 2052, 2112

TELEFUNKEN 0042, 0192, 0632, 0732, 0742, 0762, 0782, 0882, 0892

THOMSON 0042, 0102, 0142, 0192, 0402, 0632, 0762

THORN 0042, 0902

THORN-FERGUSON 0042, 0222, 0302, 0712, 0722, 0742, 0762, 0852, 0862, 0872, 0902

TOSHIBA 0042, 0622, 0912, 1222, 1442, 1472, 1742, 1802, 1832, 1882

TRIUMPH 0922

ULTRAVOX 0032

VECTOR RESEARCH 0122, 1362, 1552, 1752

VICTOR 0042, 0102, 0142, 1662, 1672

WHITE 0032

WESTINGHOUSE

YAMAHA 0042, 1142, 1362, 1752

ZENITH 1202, 1492, 1632, 1792

CD

Brand Name	Device Code
ACCUPHASE	0295
ACOUSTIC RESEARCH	2855
ADC	0825, 1875, 1915
ADCOM	0745, 0975, 2015, 2065, 2665
AIWA	1065, 1185, 1195, 1645, 1765, 1785, 2095, 2605, 2685, 2705
AKAI	0115, 0125, 0685, 0695, 0705, 0895, 1115, 2005
ARCAM	1725
ARCAM-ROTEL	0155
AUDIO-TECHNICA	0795, 2285
CALIFORNIA AUDIO LAB	1035, 1905
CARVER	0785, 1365, 2085, 2785
CYRUS-ROTEL	0195
DENON	0045, 0915, 1005, 1515, 1665, 1675, 2075, 2535, 2545
DUAL	0965
EMERSON	0975, 1235, 1565, 2015, 2125, 2755
FISHER	0105, 0555, 0565, 0785, 1125, 1135, 1935, 2295, 2585, 2655
GENEXXA	0485, 0785, 0815, 0835, 0955, 1215, 1235, 1295, 1305, 1435, 1495, 1565, 1605, 1695, 2105, 2125, 2755
GOLDSTAR	0515, 1145, 1155, 1505, 2785
GRUNDIG	0165
HARMAN KARDON	0305, 0475, 0525, 1095, 1105, 1115, 1945, 2005, 2235, 2645
HITACHI	0065, 0545, 0645, 0905, 0965, 0975, 1175, 1465, 2015, 2255
ITT-NOKIA	0175
JVC	0365, 0375, 0435, 0535, 0545, 2115

KARCHER	0465
KENWOOD	0025, 0055, 0145, 0205, 0555, 0635, 0655, 0665, 0675, 0885, 1305, 1435, 1495, 1565, 1605, 1695, 1895, 1935, 2185, 2315, 2405, 2415, 2425, 2435, 2555
LINN	0155, 1725
LUXMAN	0245, 0255, 0755, 0765, 1245, 1255, 1475, 1775
LUXOR	0175, 1745, 1755
MAGNAVOX	1715, 1725, 1995, 2025, 2365, 2615
MARANTZ	0155, 0165, 0505, 0625, 1225, 1285, 1355, 1445, 1725, 1805, 2025, 2045, 2165, 2455, 2865
MATSUSHITA	1055, 1525
MCINTOSH	2155, 2735
MEDION	0075, 1825, 1835, 1845
MEMOREX	0485, 0975, 1215, 1225, 1235, 1565, 2015, 2035, 2045, 2105, 2125, 2755
MICROMAXX	1845
MISSION	0155, 1725, 2025
mitsubishi	1085, 1165, 1965, 2215
NAD	0135, 0235, 0265, 0275, 0285, 0325, 0715, 0725, 1265, 1275, 1885, 2335, 2385, 2395
NAKAMICHI	0595, 0605, 1485, 1955, 2205, 2265
NEC	0385, 0495, 0735, 0745, 2065, 2565, 2625
ONKYO	0845, 1335, 1375, 1405, 1455, 1985, 2225, 2245, 2475, 2795
OPTIMUS	2035, 2055, 2295, 2325, 2505, 2515, 2525, 2555, 2595
PANASONIC	1015, 1035, 1535, 1545, 1905, 2485, 2745, 2775
PENNY	2565
PHILIPS	0155, 0165, 0185, 1715, 1725, 1995, 2025
PIONEER	0095, 0315, 0405, 0415, 0425, 0485, 0815, 0995, 1795, 2105, 2595, 2695
PROTON	0865, 1725, 2025, 2825
QUASAR	1035, 1905
RCA	2015, 2575, 2765
REALISTIC	0785, 0975, 1215, 1225, 1235, 1495, 2015, 2035, 2045, 2125, 2295, 2505

REVOX	2815
ROTEL	1725, 2025
SABA	0965
SAMSUNG	2845
SANSUI	0395, 0925, 0935, 0945, 1205, 1565, 1725, 2025, 2345, 2635, 2675, 2755
SANYO	0585, 0785, 0805, 0875, 1975, 2295, 2355, 2445
SCOTT	1235, 1565, 2125, 2755
SEARS	2145
SHARP	0025, 0035, 0985, 1075, 1225, 1555, 1655, 1685, 1695, 1705, 2045, 2375, 2555, 2715, 2725
SHERWOOD	1225, 1395, 2045
SIEMENS	1045
SONY	0325, 0335, 0345, 0355, 0825, 1575, 1585, 1595, 1605, 1615, 1625, 1635, 1915, 2525
SYLVANIA	1725, 2025
SYMPHONIC	2135
TANDBERG	1735
TANDY	2105
TCM	1815, 1845
TEAC	0215, 0225, 1225, 1315, 1325, 1345, 1385, 1415, 1425, 2045, 2135, 2175, 2275, 2465, 2495, 2875
TECHNICS	0445, 0455, 1025, 1035, 1545, 1905, 2745
TELEFUNKEN	0965
THETA DIGITAL	1715
THOMSON	0965
THOMSON (E)	2255
TOSHIBA	0715, 0725, 1885, 2385
VECTOR RESEARCH	0515, 0825, 1915, 2785
VICTOR	0535, 2115
YAMAHA	0005, 0015, 0085, 0325, 0575, 0615, 0775, 0795, 0855, 1685, 1855, 1865, 1925, 2195, 2285, 2305, 2715

Cable

Brand Name	Device Code
ARCHER	0966, 1046
CABLEVISION	0986
FRANCE TELECOM	0746
GE	0946, 0956
GEC	0776
GEC CABLE SYSTEM	0986
JERROLD	0766
JERROLD 400L	1366
JERROLD 450L	1356
JERROLD 550	1346
JERROLD OSD CATV	1336
JERROLD SPRUCER	1176
MAGNAVOX/PHILIPS	1156, 1166
MEMOREX	1126
NSC	0796
OAK	0936
OAK SIGMA 450	1286
OAK SIGMA 550	1276
PANASONIC TZ 120/130	1216
PANASONIC TZ 170/180	1186
PANASONIC TZ140	1206
PANASONIC TZ150/160	1196
PARAGON	1126
PHILIPS	0746, 0896, 1006, 1056, 1066, 1076, 1086, 1096
PIONEER	0006, 0886, 0916
PIONEER BR50	1486
PIONEER BR60/70/80/81/82	1386
PIONEER BR90	1296

PULSAR	1126
RCA DIGITAL	1136, 1146
SATELLITE SYSTEM	
REALISTIC	0966
REGENCY/EASTERN	1376
RUNCO	1126
SAMSUNG	0816, 1036
SCIENTIFIC ATLANTA	0806, 0826
SCIENTIFIC ATLANTA	1316
175/475	
SCIENTIFIC ATLANTA	1106, 1326
75	
SCIENTIFIC ATLANTA	1306
8650	
SPECTAVISION	1016
STARCOM	0766
SYLVANIA/TEXSCAN	1116, 1236
TANDBERG	0736
TELE	0786
TELE +1	0786
TOCOM 5503A	1266
TOCOM 5503VIP/5507	1256
TOCOM TC56	1246
TOSHIBA	1126
TUDI	0906
UNIKA	0966
UNITED CABLE	0766
UNIVERSAL	0966, 0976, 0996, 1046
VIDEOWAY	0926
VIEWSTAR	1006
ZENITH	0756, 1026, 1126, 1226

Sat

Brand Name	Device Code
AKAI	0646
ALBA	0366, 0646
ALPHA STAR	1466
AMSTRAD	0066, 0346, 0486, 0496, 0666
ASTRA	0046
BARCOM	0216
BLAUPUNKT	0466
BRITISH TELECOM	0646
BUSH	0366
BUSH(UK)	0456
CAMBRIDGE	0096, 0646
CANAL PLUS(FRANCE)	0846
ECHOSTAR	0116, 0126, 0256, 0266, 0276, 0426, 0476, 0506, 0516, 0526, 0536, 1476
ELTA	0656
ELTA SAT	0056
FERGUSON	0016, 0076, 0086, 0146, 0386, 0456, 0676
GENERAL	1416
INSTRUMENT	
GIUCAR RECORD	0106, 0176
GRUNDIG	0076, 0446, 0456, 0466
HITACHI	0206, 0226, 0286, 0446
HTS	1476
HUGHES NETWORK SYSTEMS	1456
ITT	0026, 0046, 0076, 0206, 0566
ITT/NOKIA	0026, 0046, 0076, 0206, 0566
JVC	0646
LIFESAT	0696, 0716, 0726
MEDION	0696, 0716
MICROMAXX	0696, 0716

MITSUBISHI	0466
NEC	0136, 0156, 0326, 0336, 0376
NOKIA	0026, 0046, 0076, 0206, 0566, 0576, 0706
PACE	0016, 0076, 0146, 0436, 0456, 0676, 0866, 0876
PACE MSS	0446
PANASONIC	0356, 0676, 1446
PHILIPS	0166, 0186, 0216, 0456, 0556, 0596, 0606, 0616, 0626, 0676, 0686
PRIMESTAR	1416, 1426
PROSAT	0586
RCA	1406
REDIFFUSION	0156, 0336
SAGEM	0636, 0856
SAMSUNG	0306, 0316
SATCOM	0406
SIEMENS	0406, 0466
SKYLAB	0216
SKY DIGITAL	0836
SKY PLUS	1496
SKYSCAN	0396
SONY	0296, 0446, 1436
TANDBERG	0546
TANDY	0416
TATUNG	0226, 0236
TELEMAX	0246
THORN-FERGUSON	0016, 0036, 0076, 0086, 0456
TOSHIBA	0446
VTECH	0196

Tape

Brand Name	Device Code
AIWA	0404, 0524, 0534
AKAI	0124, 0494

20

CARVER	0404
DENON	0204, 0614
FISHER	0454
GARRARD	0504, 0514
GRUNDIG	0134
HARMAN	0044
JVC	0194, 0584, 0594, 0604
KENWOOD	0164, 0434, 0444, 0464, 0544, 0554, 0574
LUXMAN	0054, 0064, 0074, 0084
MAGNAVOX	0404
MARANTZ	0134, 0144, 0404, 0654
MITSUBISHI	0494
NAD	0174
ONKYO	0184, 0674, 0684
OPTIMUS	0344, 0374, 0514, 0644
PHILIPS	0134, 0144, 0154, 0404
PIONEER	0034, 0114, 0344, 0354, 0374
REVOX	0664
SANSUI	0404, 0654
SHARP	0574
SHERWOOD	0644
SONY	0094, 0104, 0364, 0394, 0634
TEAC	0504, 0564
TECHNICS	0384, 0624
VICTOR	0604
WARDS	0344
YAMAHA	0004, 0014, 0414, 0424, 0474, 0484, 0574

CD-R

Brand Name	Device Code
JVC	0334
HITACHI	0304
MARANTZ	0314, 0324

PHILIPS	0274
PIONEER	0284, 0294
YAMAHA	0244

MD

Brand Name	Device Code
KENWOOD	0214
PIONEER	0254
SHARP	0264
SONY	0224
YAMAHA	0024, 0224, 0234

LD

Brand Name	Device Code
AIWA	0137, 0277
DENON	0267
DISCO VISION	0147
FUNAI	0137, 0277
HITACHI	0047
HITACHI (E)	0147
KENWOOD	0207, 0227
MAGNAVOX	0077, 0157
MARANTZ	0157
MITSUBISHI	0257
NAD	0257
PANASONIC	0027, 0197, 0297
PHILIPS	0157
PIONEER	0037, 0147, 0257
RCA	0067, 0287
REALISTIC	0137, 0277
SAMSUNG	0017, 0087
SHARP	0247

SONY	0057, 0097, 0107, 0117, 0167, 0177, 0237
VICTOR	0127, 0217
YAMAHA	0007, 0187

DVD

Brand Name	Device Code
AKAI	0058
DENON	0188
HITACHI	0198
JVC	0088, 0178
KENWOOD	0148
MAGNAVOX	0128
MITSUBISHI	0138
ONKYO	0068, 0128
PANASONIC	0028
PHILIPS	0098, 0128
PIONEER	0108, 0118
PROSCAN	0158
RCA	0158
SAMSUNG	0078
SHARP	0038
SONY	0018
TECHNICS	0028
THOMSON	0168
TOSHIBA	0048, 0128
YAMAHA	0008, 0028
ZENITH	0128

Game

Brand Name	Device Code
SONY-PS2	0009
XBOX	0019

My devices table		
Key	Device code	Device
AUX		
DISC		
TAPE		
TV		
CABLE		
SAT		
VCR1		
VCR2		
GAME		