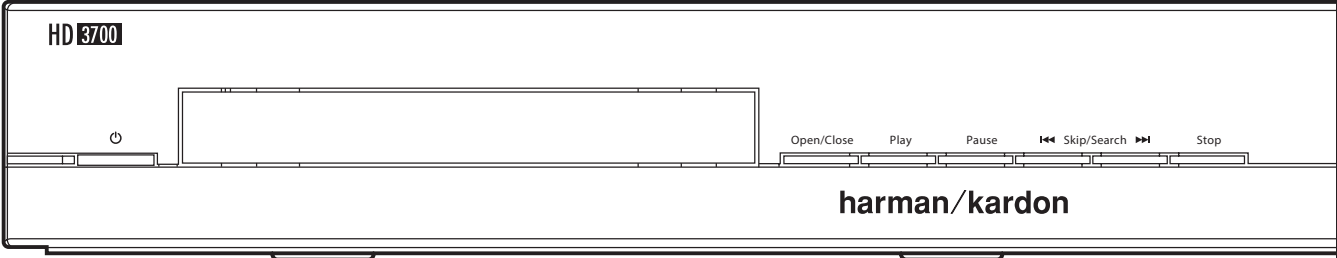


HD 3700 CD/MP3 Player

OWNER'S MANUAL



harman/kardon®

Table of Contents

2	Table of Contents
3	Introduction
4	Information
5	Front Panel Controls
6	Rear Panel Connections
7	Remote Control Functions
9	Installation
10	Operation
10	Loading and Unloading Discs
10	Normal Play
11	Time Display
11	Disc Info
12	Search
12	Skip
12	Folder
12	+10/–10
13	Programmed Play Operation
13	Programmed Play
13	Editing a Program
13	Checking Program Contents
13	Clearing Programs
14	Repeat Play Operation
15	USB Input
16	Troubleshooting Guide
17	Technical Specifications

Typographic Conventions

In order to help you use this manual with the remote control, front panel controls and rear panel connections, certain conventions have been used.

EXAMPLE – (bold type) indicates a specific remote control or front panel button, or rear panel connection jack.

EXAMPLE – (bold type) indicates a message in the front panel information display.

1 – (number in a square) indicates a specific front panel control.

1 – (number in an oval) indicates a button or indicator on the remote.

1 – (number in a circle) indicates a rear panel connection.

Introduction

Thank you for choosing Harman Kardon HD3700 CD player.

The HD3700 is an exceptionally well-engineered product that offers high performance and ease of use.

Along with conventional CD audio discs, the HD3700 is also compatible with MP3 data from CDs and USB devices.

Harman Kardon's analog processing legacy has been expressed to its optimal level in the output stage of the HD 3700 with High Definition, Wide Bandwidth and Low Feedback circuitry in a pure Class A configuration, using only high grade components.

We ask that you take a few minutes to read through this Owner's Manual to familiarize yourself with the controls and functions. This brief investment of time will yield dividends in the form of years of listening pleasure.

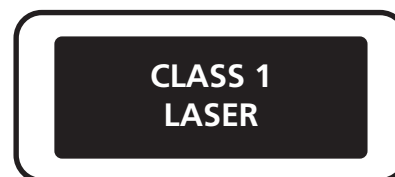
If you have any questions about this product, its installation or operation, please contact your dealer, as they are your best source of local information.

- **CD Playback with CD Text Functionality, MP3 Playback with ID3 Tag Information**
- **Digital Output for Direct Connection to Out board Digital-to-Analog Converters**
- **Sophisticated Programming Features to Automatically Play Tracks in Preprogrammed or Random Order**
- **Full compatibility with CD-R and CD-RW format to play (finalized) recordable and erasable discs without problems**
- **Full compatibility with plug in USB devices**

Important Note: The player will only output 2-channel PCM signals. Neither multi-channel Dolby Digital or DTS nor their 2-channel down-mix signals will be output.

The player will not record, modify or delete content on the MP3 device.

The HD3700 is compatible with USB 2.0/1.0 devices only.



	CAUTION RISK OF ELECTRIC SHOCK DO NOT OPEN	
<p>CAUTION: TO REDUCE THE RISK OF ELECTRIC SHOCK, DO NOT REMOVE COVER (OR BACK). NO USER-SERVICEABLE PARTS INSIDE. REFER SERVICING TO QUALIFIED SERVICE PERSONNEL.</p>		
	<p>The lightning flash with arrowhead symbol, within an equilateral triangle, is intended to alert the user to the presence of uninsulated "dangerous voltage" within the product's enclosure that may be of sufficient magnitude to constitute a risk of electric shock to persons.</p>	
<p>The exclamation point within an equilateral triangle is intended to alert the user to the presence of important operating and maintenance (servicing) instructions in the literature accompanying the appliance.</p>		
<p>WARNING: TO REDUCE THE RISK OF FIRE OR ELECTRIC SHOCK, DO NOT EXPOSE THIS APPLIANCE TO RAIN OR MOISTURE.</p>		

Information

Important Safety Information

Verify Line Voltage Before Use

Your HD3700 has been designed for use with AC 100–240V. Connection to a line voltage other than that for which it is intended can create a safety and fire hazard, and may damage the unit.

If you have any questions about the voltage requirements for your specific model, or about the line voltage in your area, contact your selling dealer before plugging the unit into a wall outlet.

Do Not Use Extension Cords

We do not recommend that extension cords be used with this product. As with all electrical devices, do not run power cords under rugs or carpets or place heavy objects on them. Damaged power cords should be replaced immediately by an authorized service depot with cords meeting factory specifications.

Handle The AC Power Cord Gently

When disconnecting the power cord from an AC outlet always pull the plug, never pull the cord. If you do not intend to use the unit for any considerable length of time, disconnect the plug from the AC outlet.

Do Not Open The Cabinet

There are no user-serviceable components inside this product. Opening the cabinet may present a shock hazard, and any modification to the product will void your guarantee. If water or any metal object such as a paper clip, wire or a staple accidentally falls inside the unit, disconnect it from the AC power source immediately, and consult an authorized service station.

CAUTION: The HD3700 uses a laser system. To prevent direct exposure to the laser beam, do not open the cabinet enclosure or defeat any of the safety mechanisms provided for your protection. **DO NOT STARE INTO THE LASER BEAM.** To ensure proper use of this product, please read this owner's manual carefully and retain it for future use. Should the unit require maintenance or repair, please contact your local Harman Kardon service station. Refer servicing to qualified personnel only.

Installation Location

- To assure proper operation, and to avoid the potential for safety hazards, place the unit on a firm and level surface. When placing the unit on a shelf, be certain that the shelf and any mounting hardware can support the weight of the product.
- Make certain that proper space is provided both above and below the unit for ventilation. If this product will be installed in a cabinet or other enclosed area, make certain that there is sufficient air movement within the cabinet.
- Do not place the unit directly on a carpeted surface.
- Avoid installation in extremely hot or cold locations, or an area that is exposed to direct sun light or heating equipment.
- Avoid moist or humid locations.

Cleaning

When the unit gets dirty, wipe it with a clean, soft dry cloth. If necessary, wipe it with a soft cloth dampened with mild soapy water, then a fresh cloth with clean water. Wipe dry immediately with a dry cloth. NEVER use benzene, thinner, alcohol or any other volatile cleaning agent. Do not use abrasive cleaners, as they may damage the finish of metal parts. Avoid spraying insecticide near the unit.

Moving The Unit

Before moving the unit, be certain to disconnect any interconnection cords with other components, and make certain that you disconnect the unit from the AC outlet.

Unpacking

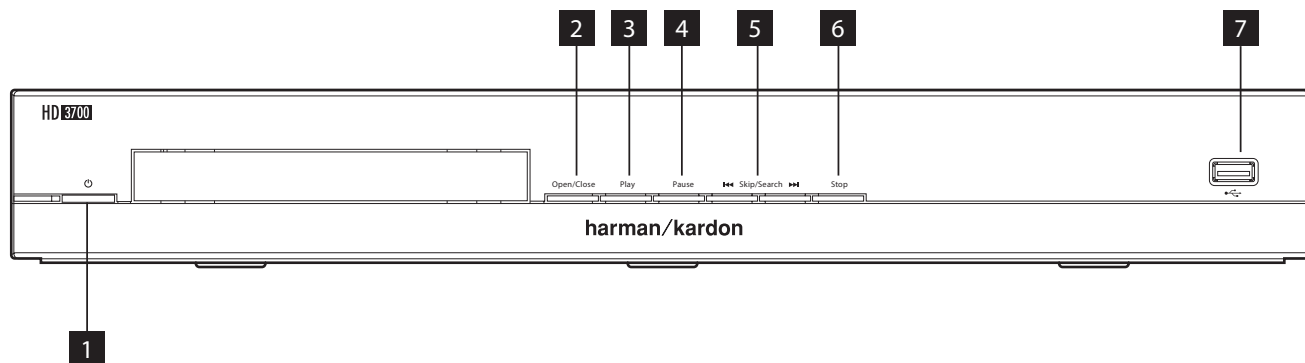
The carton and shipping materials used to protect your new HD3700 during shipment were specially designed to cushion it from shock and vibration. We suggest that you save the carton and packing materials for use in shipping if you move or should the unit ever need repair.

To minimize the size of the carton in storage, you may wish to flatten it. This is done by carefully slitting the tape seams on the bottom and collapsing the carton down to a more two-dimensional appearance. Other cardboard inserts may be stored in the same manner.

Packing materials that cannot be collapsed should be saved along with the carton in a plastic bag.

If you do not wish to save the packaging materials, please note that the carton and other sections of the shipping protection are recyclable. Please respect the environment and discard those materials at a local recycling center.

Front Panel Controls



- 1** Power On/Off (Standby)
- 2** Open/Close
- 3** Play

- 4** Pause
- 5** Skip/Search
- 6** Stop

- 7** USB Port

1 Power On/Off (Standby): Press the button once to turn the CD player on, press it again to put the unit in the Standby mode.

2 Open/Close: Press this button to open or close the disc tray.

3 Play: Press to initiate playback or to resume playback after Pause has been pressed. The Play button will also pause playback if it's currently playing.

4 Pause: Press this button to momentarily pause playback. To resume playback, press the button again. If a CD is playing, the playback will be paused.

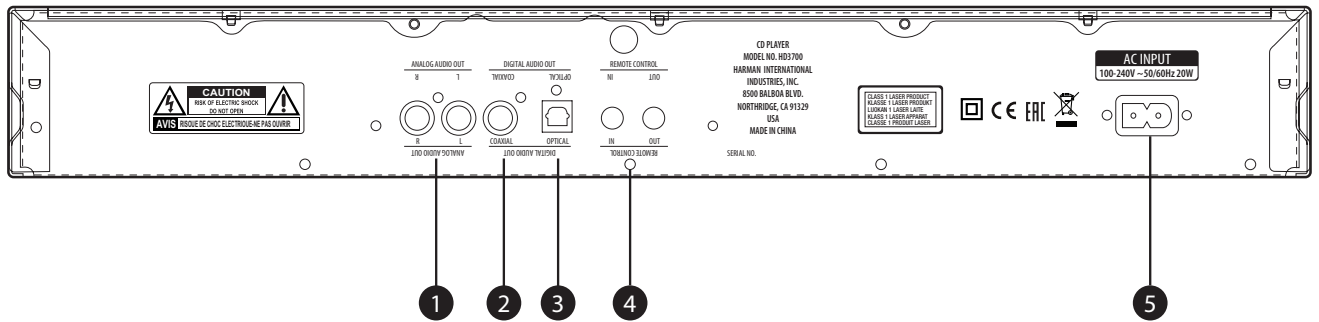
5 Skip/Search (Previous/Next): Press this button to move backward/forward through the music tracks on a CD disc. Keep the button pressed to search backwards/forwards at one of the available speeds.

6 Stop: Press to stop playing the audio track.

7 USB Port: Plug a USB flash drive in to listen to MP3 files contained on the drive.

Important Note: Only a USB 2.0/1.0 with FAT formatting can be used. Any other device will produce an error message when inserted in the USB Port.

Rear Panel Connections



- 1 Analog Audio Output
- 2 Coaxial Audio Output
- 3 Optical Audio Output

- 4 Remote Control
- 5 AC Input

1 Analog Audio Outputs: Connect these jacks to the CD audio inputs of your receiver, surround processor or pre-amplifier.

2 Coaxial Audio Outputs: If your system includes an optional external digital-to-analog converter, or if you are using a receiver or other processor that has the capability to decode PCM digital input signals, connect the **Digital Output** jack to the Coaxial Digital input on the decoder. Make certain to use a coaxial-style interconnect cable, as standard audio cables will not perform as well.

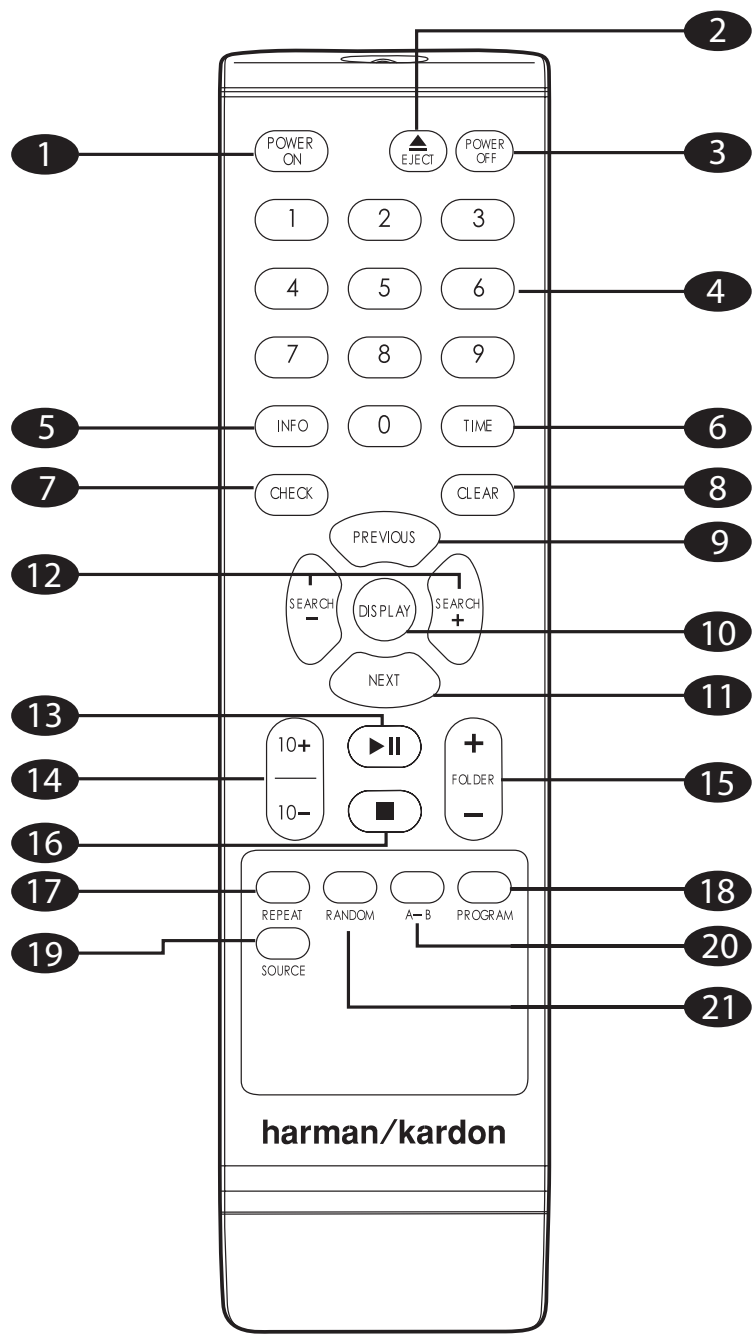
3 Optical Audio Outputs: If your system includes an optional external digital-to-analog converter, or if you are using a receiver or other processor that has the capability to decode PCM digital input signals, connect the **Digital Output** jack to the Optical Digital input on the decoder.

4 Remote Control Input: Connect the output of a remote infrared sensor or the remote control output of another compatible Harman Kardon product. This will enable the remote control system to operate even when the front panel **Remote Sensor** (near the button **4**) is blocked. It will also allow use of the CD player with optional, external control systems.

4 Remote Control Output: Connect this jack to the input of another compatible Harman Kardon remote controlled device to have the remote sensor on the CD player provide signals to other products.

5 AC Power Cord: Connect this plug to an AC outlet. If the outlet is switch controlled, make sure that the switch is in the ON position.

Remote Control Functions



- 1 Power On
- 2 Eject
- 3 Power Off
- 4 Numeric Controls
- 5 Info
- 6 Time
- 7 Check
- 8 Clear
- 9 Previous
- 10 Display
- 11 Next
- 12 Search
- 13 Play and Pause
- 14 +10/-10 Buttons
- 15 Folder
- 16 Stop
- 17 Repeat
- 18 Program
- 19 Source
- 20 A-B
- 21 Random

Remote Control Functions

- 1 **Power On:** Press this button to turn on the CD player. Note that in order for the Power On button to operate, AC power must be applied to the unit, and the **Status Mode Indicator** should glow.
- 2 **Eject Button:** Press this button to eject a CD from the CD player.
- 3 **Power Off:** Press this button to put the unit into Standby mode.
- 4 **Numeric Controls:** Press this button to enter each of the desired track numbers in quick succession using the **Numeric Controls**. When you have entered the tracks to be played, press the **Play** button 13 to begin the programmed sequence.
- 5 **Info Button:** Press this button to view the current track information on the VFD.
- 6 **Time Button:** Press this button to show the current track time information.
- 7 **Check Button:** Press this button to check the contents of a program while the unit is stopped.
- 8 **Clear Button:** Press to clear a programmed set of tracks.
- 9 **Previous Button:** Press to play a previous track. Also jumps to the beginning of the current track if the elapsed time is more than 3 seconds into the track.
- 10 **Display Button:** Press to turn the display light on or off on the front panel, or to adjust the brightness.
- 11 **Next Button:** Press to play the next track.
- 12 **Search Button:** If you wish to quickly scan through a disc to locate a particular passage or track, press and hold the **Search** buttons. The **Forward Search** button ►► 12 plays the disc forward in high speed. Holding the buttons pressed will triple the search speed after 3 seconds. When the desired part of the disc is heard, release the **Search** button to resume normal play speed.
- 13 **Play and Pause Button:** Press this button to pause the current track, or to begin playback if paused or stopped.
- 14 **+10/-10:** Press the +10 button to move to the 10th track after the current track playing. Press the -10 button to move to the 10th track before the track currently playing.
- 15 **Folder Button:** Discs containing compressed MP3 data often contain several directories and folders with data. To show the name of the current directory or folder playing, press one of the **Folder +/-** buttons once. To skip to the next directory or folder, press the **Folder+** button again within three seconds after the first press. For the previous directory or folder, press the **Folder-** button.
- 16 **Stop Button:** Press this button to stop the CD/MP3 playing or to escape from the program mode (see page 13 for complete information.)
- 17 **Repeat Button:** Press Repeat button once will show **REPEAT OFF**, then press again is **REPEAT ONE**, then **REPEAT ALL**.
- 18 **Program Button:** The HD3700's advanced programming capability enables you to select certain tracks, to preset the order in which these tracks play, and to clear specific programmed tracks after the program was made. (See page 13 for more information.)
- 19 **Source Button:** To select between the CD player and the USB input as the source of tracks to play.
- 20 **A-B:** The CD player may be programmed to repeat any section within a track, or a complete passage or program that includes material in a series of tracks. Press this button once to set A, then again later to set B, then again to turn it off.
- 21 **Random Button:** Press this button to play tracks in random track order.

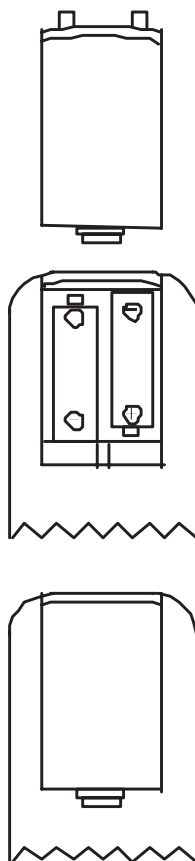
Installation

To prevent possible damage to your speakers and other components in your audio system, it is important that ALL components, including the HD3700 and your receiver or preamp and amplifiers, are turned off and unplugged from their AC power source when installing any new component.

Connecting the HD3700 to your audio system is simple. Using standard RCA-to-RCA interconnect cables, connect the left and right **Audio Output** jacks on the rear panel to the CD input jacks on your receiver, surround processor or preamplifier.

If your system includes an optional external digital-to-analog converter, or if you are using a receiver or other processor that has the capability to decode PCM digital input signals, connect the **Digital Output** jack to the Coaxial or Optical Digital input on the decoder. Make certain to use a coaxial-style interconnect cable, as standard audio cables will not perform as well.

Install two AAA batteries by turning the remote over so that you are holding the bottom side up. Press lightly on the embossed arrow on the cover and gently slide the cover towards you in the direction of the arrow. Insert the batteries inside the compartment, being careful to follow the + and – polarity indications at the bottom of the compartment. Replace the cover by placing it on the remote and sliding it back towards the top of the remote.



Note: When replacing batteries, always replace both at the same time. When the unit will not be used for an extended period of time, it is also a good idea to remove the batteries so that the potential for corrosion or damage is avoided.

If the HD3700 is installed behind a cabinet or other obstruction that may block the path between the front-panel **Remote Sensor** and the location of the remote, an optional external IR sensor may be used. Connect the sensor to the **Remote IR-In Jack** on the rear panel. This jack may also be connected to the IR Output jack of another compatible Harman Kardon component or a compatible IR-system-remote product.

You may also use the IR Sensor in the HD3700 to send commands to other compatible remote controlled products. Connect the **Remote IR-Out jack** to the input of the other product or system.

Connect the power to an on-switched AC wall outlet or to the accessory outlet on the rear of another audio device in your system and you are ready to go!

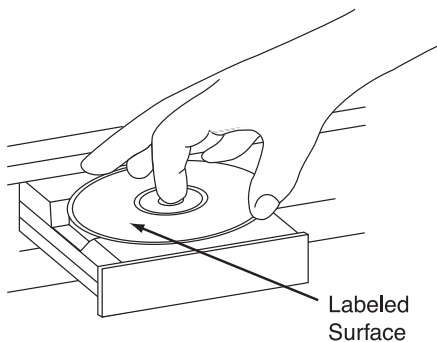
Note: When using the accessory outlet on another product to power the HD3700 make certain that it has the compatibility to power a device that draws at least 14 watts of current in addition to being able to handle the requirements of the other devices that may be plugged into the accessory outlets. If you use a 'switched' outlet, it is important to remember that the host product must be turned on in order for the HD3700 to operate.

Operation

Loading and Unloading Discs

To load a disc, first turn the unit on (if not so already) by pressing the **Power Switch** 1 on the front panel or the **Power On** button 1 on the remote, then press the **Open/Close** button 2 taking care to make certain that the space in front of the drawer is not obstructed. When the unit is turned off (to Standby), pressing the **Play** button 13 on the front or on the remote will automatically turn on the CD player and start playback.

Load the disc in the tray with the printed (label) side facing up. Make certain that the disc is centered in the tray. Either 12 cm (5") or 8 cm (3") discs may be used. When an 8 cm disc is played, it should be carefully centered within the smaller ridges inside the tray.



To retract the drawer back into the player after loading a disc, press the **Open/Close** button 2. When the drawer is closed the display will indicate the total number of tracks on the disc and the total running time of the disc.

The drawer will also close when the **Play** button 13 is pressed. The drawer will close and the disc will start playing the first track.

To remove a disc from the player, press the **Open/Close** button 2. The drawer will open, allowing the disc to be removed.

Disc Handling Notes

When loading or unloading discs, it is best to hold them by the edges.

While Compact Discs are very reliable, rough handling may damage them. Avoid scratching the bottom (non-printed) side of discs, or any handling which will leave fingerprints.

To avoid damage to the disc and player, always seat discs so that they are centered in the tray.

Do not lift the player while the disc tray is opening or closing, as this may cause the disc to unseat from the tray and possibly jam.

Normal Play

To play a disc, first turn the HD3700 on using the **Power Switch** 1 on the front panel or the **Power On** button 1 on the remote control. When the unit is turned off (to Standby), pressing the **Play** button 13 on the front or on the remote will automatically turn on the CD player and start play back.

To load or change disc, open the disc drawer by pressing the **Open/Close** button 2. Place a disc in the tray following the instructions shown above.

Pressing the Open/Close button once a disc has been carefully seated will close the disc drawer while the message **CLOSING** will appear in the **INFORMATION DISPLAY**. As soon as the tray is closed the display will show the message **READING** while the disc is read. Note that particularly with CD-RW discs this may take longer than normal discs. Afterwards the **Information Display** will show the total number of tracks on the disc and the total running time of the disc. Note that with MP3-CDs the total running time will not be shown.



The drawer will also close when the **Play** button 13 is pressed, then the disc will start playing the first track.

To play all of the tracks on the disc in order, press the **Play** button 13. A play indication will appear in the **Information Display**.

To play all of the tracks in random order, press the **Random** button 21. The **RANDOM** indicator will light when that mode is in use. Random can be activated also while a track is playing. When Random is activated while programmed play is in use (see page 13), all programmed tracks will be played in random order.

You may also select a specific track by pressing the **Program** buttons 18 until the desired track number is displayed (see page 12). The track may also be selected directly by entering the track number via the **Numeric Controls** 4, simply enter the track number by pressing the buttons that correspond to the desired track.

Note that when a two- or three-digit track number is being entered, the second and third digit of the number must be pressed within two seconds of the first digit. After the track is selected, press the **Play** button 13.

Operation

While the disc is playing, the track being played will show as a number in the middle of the display. The elapsed time of the track being played will also appear in the display (see figure page 10). As a disc plays, the track numbers will change, and the time **00:00** will be shown at the start of each new track.

To momentarily pause, press the **Pause** button **13**. Note that a Pause indication **||** will appear in the display to remind you that the disc is paused. Press either the **Play** button **13** or the **Pause** button **13** to resume normal playback.

To stop the disc, press the **Stop** button **16**. When the Stop button is pressed the display will again show the total number of tracks and total running time of the disc.

To remove a disc from the player, press the **Eject** button **2**. To prevent dirt and dust from entering the unit, do not leave the disc tray open.

To place the unit in a Standby mode, press the **Power Switch** **1** on the front panel or the **Power Off** button **1** on the remote. The display will show a **STANDBY** message for a moment and the **Status Mode Indicator** will glow amber, indicating that the unit is off, but ready to accept a Power On command from the remote. If the disc drawer is open, it will automatically close when the unit is placed in the Standby mode. This ensures that the unit will not be harmed from dust, dirt or inadvertent damage to the drawer mechanism.

Note that the unit is not removed from AC main power when it is in the Standby mode but its power consumption is reduced to a low value. To remove the AC power completely from the unit its **Power** cord must be plugged into a switch controlled AC outlet that is turned off. We recommend to use the switched AC outlet on the rear side of a receiver or amplifier. When that AC outlet will be turned on, the HD3700 will always turn to the Standby mode even if it was on before the AC power was removed.

Time Display

The CD player's time display is capable of showing a wide range of information about a CD.

In normal operation the display will show the total running time of a CD after the disc is first put in the unit. When the disc is played, the display will show the running time of a track in play. Each time the track changes, the time display will reset **00:00** and begin to increase again as the new track plays.

To view the time remaining on an individual track, press the **Time** button **6** on the remote once. The display will now show the track time remaining, and a '-' will light in front of the time display as a reminder of the display's status.

To view the elapsed time of the disc currently playing, press the **Time** button **6** again.

To view the total time remaining on the disc, press the **Time** button again. Will display the remaining total time on the disc with a '-' in the front, starting from the next track of the formerly played track.

When the **Time** button is pressed again, the display will return to show the elapsed time of the track in play.

Note: When a program is played (see page 13), all time modes are selectable except the total time remaining on the disc.

The time mode is available and pressing this button switches back to the time viewing mode if you are in the info viewing mode.

Disc Info

The HD3700 is able to show CD-Text information from CDs, as well as ID3 tag and other information from discs containing MP3 data. Please note that not all CD's contain CD-Text. In that case, the **Information Display** will show NO CD-TEXT and will return to the time mode previously selected.

If you play back a CD that contains CD-Text information the **TEXT** indicator will light in the **Information Display**. During playback, the artist name, track name, and album name can be made visible on the **Information Display** by pressing the **Info** button **5** several consecutive times. Each press of the **Info** button **5** will show the next line of information. If the text is longer than 12 characters, the text will scroll continuously from right to left on the **Information Display**.

If you play a disc with MP3 data, the filename, the data rate (Constant Bit Rate CBR and Variable Bit Rate VBR) and folder/root name can be made visible on the **Information Display** by pressing the **Info** button **5** several consecutive times. If ID3 tag information is included in the MP3 data, the artist name, track name, and album name can also be made visible. Each press of the **Info** button **5** will show the next line of information. If the text is longer than 12 characters, the text will scroll continuously from right to left on the **Information Display**. To return to the normal Track/Time indication press the **Time** button **6**.

Operation

Search

If you wish to quickly scan through a disc to locate a particular passage or track, press and hold the **Search** buttons. The **Forward Search** button **▶▶** **12** plays the disc forward in high speed. Holding the buttons pressed will triple the search speed after 3 seconds. When the desired part of the disc is heard, release the **Search** button to resume normal play speed.

Skip

To move from one track on the disc to another during play mode, press one of the **Skip** buttons. Pressing the **Forward Skip** button **▶▶** will move you forwards through the disc, one track at a time, while pressing the **Reverse Skip** button **◀◀** once will move you back to the start of the actual track (as long as >3 second of the track have elapsed) and pressing it multiple times will move you back one track at a time.

The **Skip** buttons may be used when the CD player is either playing or stopped. If the unit is stopped, the Skip buttons may be used to locate the first track to be played. The **Play** button **▶** **3** **13** must be pressed to begin play. If the Skip buttons are used while the unit is already playing (as described above), the audio output will stop while the new track is located, and play will automatically resume with the new track.

If the **Skip** buttons are pressed when program play is in use (see page 13), the unit will move from one programmed track to another.

Folder

Discs containing compressed MP3 data often contain several directories and folders with data. To show the name of the current directory or folder playing, press one of the **Folder+/-** buttons once. To change to the next directory or folder, press the **Folder+** button again within three seconds after the first press. For the previous directory or folder, press the **Folder-** button.

The CD player counts each directory and folder as one folder. The player starts to count in the main directory, and pressing the **Folder+** button will start playback of the first folder in this directory. Pressing the **Folder+** button again will start playback of the second folder in the directory. Continue pressing the **Folder+** button until the last folder in the directory has been played. At this time, pressing the **Folder+** button will start playing the next directory.

Note that the **Folder+/-** buttons will automatically turn off Random mode.

+10/-10

Due to the compressed format of MP3 data, discs can contain several hundred audio tracks. In order to find the right track within these hundreds of tracks, the CD player lets you skip through the contents of your disc in steps of 10 tracks. Press the **+10** button **14** to change to the 10th track after the track currently playing. If there are less than 10 tracks remaining on the disc, the last track will be played. Press the **-10** button **14** to change to the 10th track before the track currently playing. If there are less than 10 tracks since the beginning of the disc, the first track will be played.

Programmed Play Operation

The HD3700's advanced programming capability enables you to select certain tracks, to preset the order in which these tracks play, and to clear specific programmed tracks after the program was made.

Programmed Play

Programmed play allows you to program up to 99 tracks into the HD3700's memory. To begin programming the CD player, make sure that the unit is in Stop mode, then press the **Program** button **18**. PROG-□:□□ will appear in the **Information Display**, replacing the track time. This indicates that you are about to program the first track.

You may now begin to enter the tracks in the order in which you wish to have them play. To select a track on the disc, press the **Numeric** buttons **4** corresponding to the desired track. Be certain to enter the second and/or third number of two- or three-digit numbers within two seconds after the first number was entered. You may also use the **Search** buttons **12** to select a track. When the track is selected, press the **Program** button **18**. Note that the indication on the **Information Display** will change to PROG-□2:□□.

You may now select another track for the next program step, following the instruction shown above. When the track is selected, press the **Program** button **18** again. Repeat this procedure for each program step until you have completed the desired programming. Press the **Stop** button **16** once to complete a program sequence, or press **Play** **13** to begin immediate play of a program sequence.

Once a program list has been entered, press the **Play** button **13** to begin listening to the sequence. After the entire program has been played, the CD player will stop. As long as the **Stop** button **16** has not been pressed twice you may repeat the programmed-play sequence again by pressing the **Play** button **13**.

Editing a Program

A program can be edited even after it was completed by pressing the **Stop** button **16** once. Each time you press the **Program** button **18** the track number and program step number will be displayed in the programmed order, but with steady track numbers, not blinking as in the programming mode. As soon as the track number starts blinking (this will take 1 second), the appropriate program step number shown at the left side is not programmed yet; now you can change the track number with the **Skip** buttons **5** or the **Numeric** buttons **4** as described above and add it to the program list by pressing the **Program** button **18**.

Pressing the **Stop** button **16** twice will return to normal mode but the program will stay in memory and can be recalled easily by pressing the **Program** button. Pressing the **Clear** button **8** (see below) or opening the disc drawer by pressing **Open/Close** **2**, will erase the program information from the unit's memory.

Checking Program Contents

To check the contents of a program while the unit is stopped, first press **Program** to enter program mode. Each time the **Check** button **7** is pressed now, the **Information Display** will step through each of the programmed tracks. To cancel the check mode press the **Stop** button once.

Clearing Programs

To clear a single track from the program list, press the **Check** button **7** until the track to be deleted from the program sequence appears in the **Information Display** **1**. When the track number appears, press **Clear** **8** once, the track selected will be deleted and the track number will be replaced by the next programmed one.

When the unit is stopped you may clear the entire contents of a program by pressing the **Clear** button **8**.

Important Note: When you've pressed the **Program** button **18** (once or several times) and the track number on the right starts blinking, the appropriate program step number (e.g. PROG-□2:□□□) shown at the left display side is not programmed yet. Do not continue to press the **Program** button otherwise the track selected will also be memorized. If you're in doubt press **Stop** button **16** and start the procedure again with **Program** **18**.

Repeat Play Operation

Repeat Play

The HD3700's programming system enables you to repeat either a single track, the entire disc (respectively all programmed tracks) or a specially programmed passage that you select.

Repeat One Track

Pressing once will show **REPEAT OFF**, pressing again will show **REPEAT ONE**. If the track is changed by pressing the **Skip** buttons (12) while the Repeat function is in use, the newly selected track will be played normally. To stop the repeat play, press the **Stop** button (16) or press the **Repeat** button (17) until the **Information Display** reads **REPEAT OFF**.

Repeat All Tracks

To repeat all of the tracks on a disc during play mode, press the **Repeat** button (17) until the **Information Display** reads **REPEAT ALL**. The entire disc or all programmed tracks will play through to the end, and then start again from the beginning. The disc will play continually until the **Stop** button (16) is pressed.

Repeat A-B

The CD player may be programmed to repeat any section within a track, or a complete passage or program that includes material in a series of tracks.

To program the unit for A-B play, first locate the point on the disc where you wish to begin the repeated section. At that point, press the **Repeat A-B** button (20). An **A-** indicator will show that the program process has started. Let the disc continue to play or press the **Search** ►► button (12) or **Skip** (5) button (12) on the front or remote until you have reached the end of the section to be repeated. When the end point is reached, press the **Repeat A-B** button (20) again. Note that **A-B** will now be illuminated.

Once the **Repeat A-B** button (20) is pressed for the second time to complete the programming, the CD player will automatically go to the beginning of the selected passage and continue to play the section over and over.

To resume normal play press the **Repeat A-B** button (20) again.

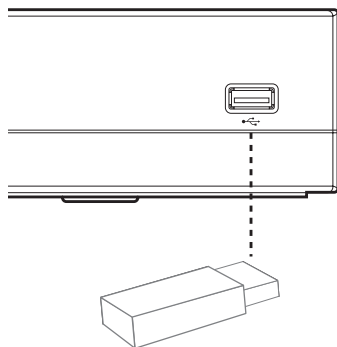
Important Note: Tracks programmed as described before in chapter 'Programmed Play' can be repeated too: When you press **Repeat** (17) once after a program is created. The track currently playing will be repeated continuously. If **Repeat** is pressed twice **REPEAT ALL** will be displayed, all programmed tracks will be played subsequently and the sequence will be repeated continuously until **Stop** is pressed.

USB Input

The HD3700 allows you to play an USB device as easily as a CD. The navigational steps and procedures are identical to those of the CD.

Placing the USB device in the HD3700

To use the USB device, simply place it in the USB input located on the front right hand side of the HD3700. The **Information Display** will indicate **READING**.



Note: If the MP3 device does not contain compatible files you will see an error message saying 'Unsupported Media' displayed. The HD 3700 can support MP3 and WMA files.

Selecting the USB Input for use

In order to access the music or audio found on the USB device you must select it as the source. This is accomplished by using the **Source** button on the Remote Control. The **Information Display** will first indicate the total number of songs found on the USB device. First, press play to begin playing songs. The first song from the first folder will begin to play.

Use the **Folder** **15** button to display the current folder title. Pressing the **Folder** button twice in succession will skip to the next folder found on the USB device.

Removing MP3 device

To remove MP3 device, grasp firmly and gently pull out of socket. A message will be displayed indicating 'NO USB'.

Important Note: Remember to switch the source back to CD from USB after removing the MP3 device otherwise you will hear no sound when you use your CDs.

Troubleshooting Guide

SYMPTOM	CAUSE	SOLUTION
No lights on Front Panel	<ul style="list-style-type: none"> No AC power 	<ul style="list-style-type: none"> Make certain AC power cord is plugged into a live outlet.
Remote does not appear to operate	<ul style="list-style-type: none"> Power Switch turned off Weak batteries Blocked sensor 	<ul style="list-style-type: none"> Turn on Power Switch. Install fresh batteries, observing polarity indications. Remove obstructions from the front panel sensor or connect a remote sensor to the Remote In jack on the rear panel.
Front panel lights, but CD does not play	<ul style="list-style-type: none"> Disc upside down 	<ul style="list-style-type: none"> Reload disc with label side facing up.
Play indicator lights, but no sound is heard	<ul style="list-style-type: none"> Poor connections Wrong source connected 	<ul style="list-style-type: none"> Make certain connections are secure and made to the correct (e.g., CD or MP3) input. Select CD or MP3 source on receiver or preamp.
Sound skips or stutters during play	<ul style="list-style-type: none"> Disc may be damaged Surface vibrations 	<ul style="list-style-type: none"> Try another disc. Isolate the unit from vibration by placing it on a firm surface or move it further away from speakers.
Sound is continually distorted	<ul style="list-style-type: none"> Incorrect input 	<ul style="list-style-type: none"> Make certain that the analog Audio Outputs of the CD player are connected to a line level audio input, NOT to a digital audio or phono input.
ERROR lights up continuously in the display	<ul style="list-style-type: none"> Various 	<ul style="list-style-type: none"> Turn the unit off and on again. If the problem persists, turn the AC power to the CD player off and on.

Technical Specifications

Digital/Analog Converter (DAC): 24-bit/192 kHz Cirrus Logic® WM8740

Frequency Response: 16 Hz – 20 kHz (+/- 0.2 dB)

Total Harmonic Distortion (THD): < 0.009% @ 1 kHz

Dynamic Range: > 95 dB

Signal-to-Noise: 105 dB

Channel Separation: > 100 dB

Line Output Level: 2.0 V

Supported Disc Formats: CD, CD-R, CD-RW, MP3, WMA

CD Sizes: Standard 12 cm and mini-8 cm formats

ID3 Text Display: Yes

Supported Audio Formats: MP3, WMA

Supported File Systems: FAT 32

ID3 Text Display: Yes

General

Power Requirement 100–240 V 50/60 Hz

Power Consumption <20 Watts (On)

<0.5 Watts (Standby)

Dimensions

Height 75.29 mm

Width 440 mm

Depth 332 mm

Weight 3.8 kg

Depth measurement includes knobs, buttons and connection jacks.

Height measurement includes feet and chassis.

All features and specifications are subject to change without notice.

Harman Kardon is a registered trademark of Harman International Industries, Incorporated.



harman/kardon®

HARMAN

Harman International Industries, Incorporated
8500 Balboa Boulevard, Northridge, CA 91329, UNITED STATES

© 2014 Harman International Industries, Incorporated.
All rights reserved.

Harman Kardon is a trademark of HARMAN International Industries, Incorporated, registered in the United States and/or other countries. Features, specifications and appearance are subject to change without notice.

TR00063_A

TR00063_A